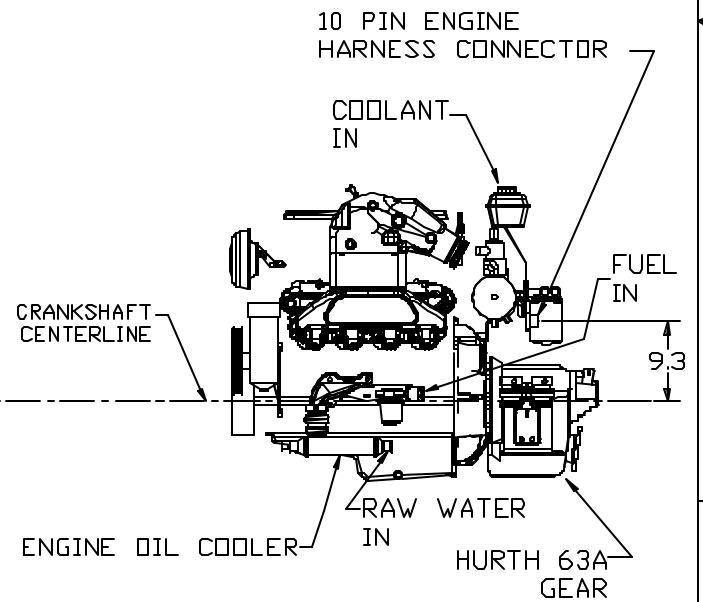
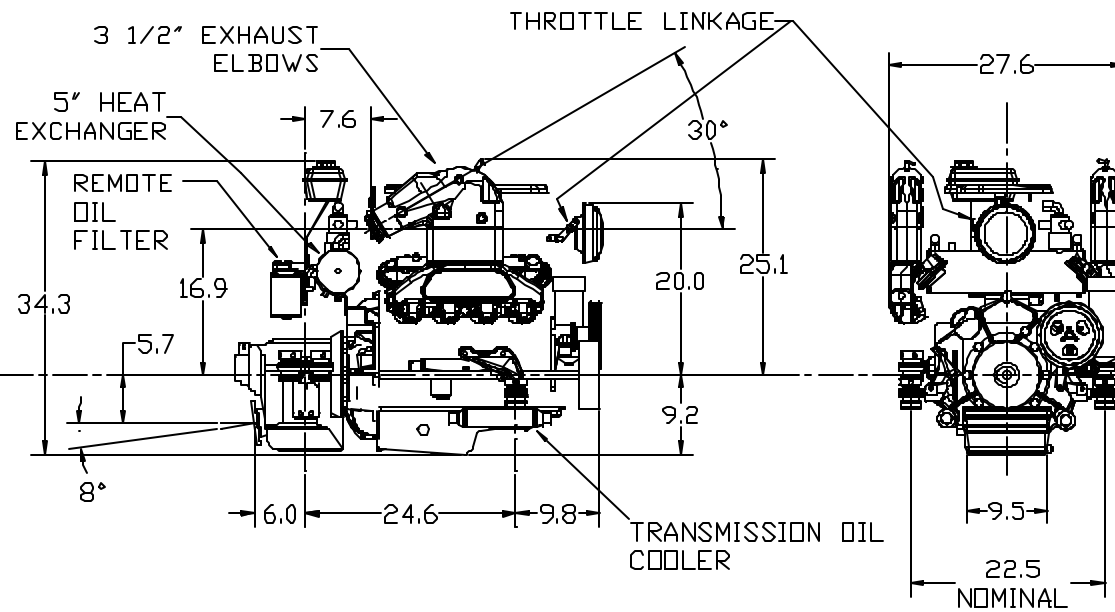
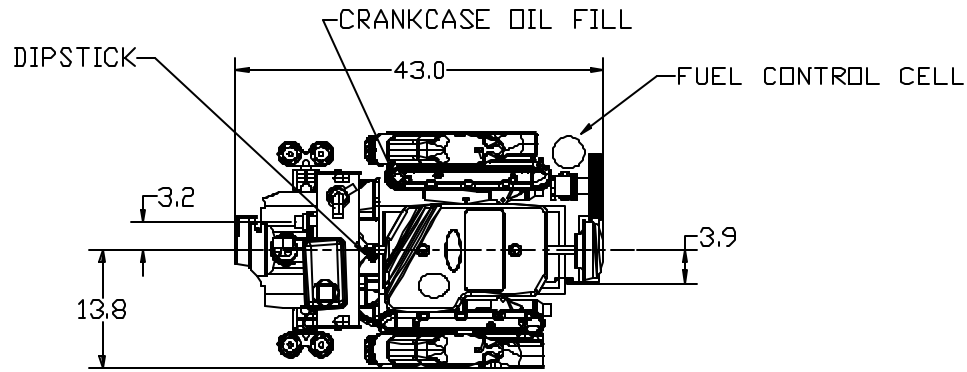


REVISION			
NO.	DATE	DESCRIPTION	BY
-	-	-	-
-	-	-	-



PRELIMINARY DRAWING

DESIGNER'S CHECKLIST		CHECKED BY		DATE		TITLE	
DESIGNED	DATE	DATE	DATE	DATE	DATE	DATE	DATE
CONSTRUCTED	DATE	DATE	DATE	DATE	DATE	DATE	DATE
TESTED	DATE	DATE	DATE	DATE	DATE	DATE	DATE
APPROVED	DATE	DATE	DATE	DATE	DATE	DATE	DATE

NO.	DATE	DESCRIPTION	BY
1		PRODUCTION P/N	
2		SCALE	
3		WEIGHT	
4		SHEET OF	