



[Return to PPT Website](#)

Engine Accessories Index

Description

Fuel System Components [Select Link](#)

2-Stroke Oil Systems [Select Link](#)

Rigging Tubes and Grommets [Select Link](#)

Steering System [Select Link](#)

Remote Control Attachment Kits [Select Link](#)

Tiller Handles and Fitting Kits [Select Link](#)

Cowling Covers [Select Link](#)

Engine Security [Select Link](#)

General Engine Accessories [Select Link](#)

Tilt Limiters [Select Link](#)

Page

5-1

5-5

5-6

5-7

5-10

5-13

5-14

5-17

5-19

5-20

Select Yamaha Outboard Part Numbers to open each product within the ONLINE STORE

General Information

Rigging Estimate Guide (Diagrams)

Rigging Components

Electrical Components

Engine Accessories

Propellers

Maintenance Items

Oils & Lubes

Detailing & Trailer Supplies

Accessories & Apparel

Generators & Accessories

Engine Accessories

Select Yamaha Outboard Part Numbers to open each product within the ONLINE STORE

Fuel System Components

General Information
Rigging Estimate Guide (Diagrams)
Rigging Components
Electrical Components
Engine Accessories
Propellers
Maintenance Items
Oils & Lubes
Detailing & Trailer Supplies
Accessories & Apparel
Generators & Accessories



10-Micron Fuel/Water Separating Filter

They are a primary line of defense against ethanol-related fuel system issues. Highly recommended for all two stroke and four stroke EFI outboards and two stroke HPDI's. Also excellent for carbureted engines. New, improved 10-micron filter provides superior filtration ahead of the engine's onboard filters and injectors. Large filtering and water capture areas maximize filtration while maintaining adequate flow rate for larger engines.

Assemblies

Assembly Stainless Steel Head *MAR-SPRTR-HD-SS*

Assembly Stainless Steel Head 3/8" Fittings *MAR-SPRHD-38-SS*

Assembly Aluminum Head *MAR-SEPAR-AT-OR*

Elements

Spin-On Filter Only *MAR-FUELF-IL-TR*

Bulk pack of 12 *MAR-FUELF-LT-12*

Filter Heads

Aluminum Filter Head 12 Pack *MAR-FLTHD-AL-12*

Stainless Steel Filter Head 12 Pack *MAR-FLTHD-SS-12*

Stainless Steel Filter Head 3/8" Fittings 12 Pack *MAR-FHDSS-38-12*

mini-10™

Assembly Aluminum Head *MAR-MINIF-LT-AS*

Spin-On Filter only *MAR-MINIF-IL-TR*



Yamaha Remote Filter

Assembly includes aluminum mounting head, spin-on element, metal bowl, and water sensor probe. Requires Yamaha Multifunction Fuel Management Gauge for water detection indication.

Assemblies

90 GPH with water sensor *MAR-24590-00-00*

Elements

60 GPH *MAR-24563-00-00*

90 GPH *MAR-10171-20-00*

Filter Bowls

Clear Bowl without water probe *MAR-REPLB-OW-L1**

Clear bowl with water probe *MAR-REPLB-OW-L2**

Replacement Water Probe *MAR-10171-30-00*

* For above deck use only

Select Yamaha Outboard Part Numbers to open each product within the ONLINE STORE

Engine Accessories

Portable Gas Tank

Meets Environmental Protection Agency (EPA) regulations that became effective January 1, 2011.

25 Liter (6.6 gallon) **6YK-24201-44-00**

12 Liter (3.1 gallon) **6YL-24201-24-00**



Replacement Fuel Tank Parts for EPA Style Tank

Filler Cap with Gasket **6YL-24610-10-00**

Filler Cap Gasket Only **6YL-24641-10-00**

Filler Cap Lock Ring **6YL-24629-00-00**



Replacement Fuel Tank Parts for Pre-EPA Fuel Tank

Filler Cap Gasket for both 6.6 and 3.1 Gallon Tanks **MAR-COMBI-GS-KT**

Pick Assembly for 3.1 Gallon Tank **97951-24261-00**

Pick Assembly for 6.6 Gallon Tank **97951-24262-00**



Scepter ECO® Gas Cans

Rustproof, unbreakable, non-corroding, with spill-proof spout that automatically shuts off when tank is full. UL listed. Meets CARB requirements.

5 Gallon Can **MAR-CARBC-FC-05**

5 Gallon "Jerry Can" **MAR-CARBC-FC-JC**

2.5 Gallon Can **MAR-CARBC-FC-25**

Replacement spout **MAR-CARBC-FC-SP**



General Information

Rigging Estimate Guide (Diagrams)

Rigging Components

Electrical Components

Engine Accessories

Propellers

Maintenance Items

Oils & Lubes

Detailing & Trailer Supplies

Accessories & Apparel

Generators & Accessories

Engine Accessories

Select Yamaha Outboard Part Numbers to open each product within the ONLINE STORE

General Information
Rigging Estimate Guide (Diagrams)
Rigging Components
Electrical Components
Engine Accessories
Propellers
Maintenance Items
Oils & Lubes
Detailing & Trailer Supplies
Accessories & Apparel
Generators & Accessories



Yamaha Fuel Line Assemblies

Fuel line built to last. Your engine doesn't run without fuel, so make sure it has a steady supply. Yamaha's fuel line is built to strict standards and meets EPA regulations.

Inside Diameter	Engine Side Connection	Tank Side Connection	Length	Part Number
8mm	Conventional	Conventional	9.8 ft	6YK-24306-64-00
6mm	Conventional	Conventional	9.5 ft	6YL-24306-64-00



Yamaha Fuel Line

8mm Fuel line only. Primer bulb and connections are not included. Yamaha's fuel line is built to strict standards and meets EPA regulations.

Application	Length	Part Number
F150	3.5ft	63P-24316-21-00
F200, F225	3.5ft	6P2-24314-11-00
F75, F90, F115	4.3ft	90445-13025-00
115, V150, HPDI	8.9ft	90445-13016-00



Fuel Line Connections

Connection Description	Style	6mm Part Number	8mm Part Number
Hose Mounted Tank Side	Conventional	6Y1-24305-06-00	6Y2-24305-06-00
Hose Mounted Engine Side	Conventional	6G1-24305-05-00	6E5-24305-06-00



Primer Bulbs

Size	Application	Part Number
8mm	F70~F225, 2-S 115~V150 & HPDI	6YK-24360-73-00
8mm	F350, F300, F250, 4.2L Engines	6AW-24360-01-00
6mm	Portable Outboards	6YL-24360-63-00
6mm	F4 / F6 Under the Cowl	6BX-24360-10-00

Select Yamaha Outboard Part Numbers to open each product within the ONLINE STORE

Engine Accessories

Miscellaneous Fuel Line Connections

Joints are used to connect two pieces of fuel line together. The plug is a great tool for plugging off open fuel line to prevent debris from entering the fuel line.

Description	Part Number
6mm to 8mm Joint (5 pack)	67F-24377-00-BK
8mm Joint	6R3-24377-10-00
Joint Cover	68V-24452-00-00
Plug	689-85547-00-00



General Information

Rigging Estimate Guide (Diagrams)

Rigging Components

Electrical Components

Engine Accessories

Propellers

Maintenance Items

Oils & Lubes

Detailing & Trailer Supplies

Accessories & Apparel

Generators & Accessories

Engine Accessories

Select Yamaha Outboard Part Numbers to open each product within the ONLINE STORE

2-Stroke Oil Systems

General Information

Rigging Estimate Guide (Diagrams)

Rigging Components

Electrical Components

Engine Accessories

Propellers

Maintenance Items

Oils & Lubes

Detailing & Trailer Supplies

Accessories & Apparel

Generators & Accessories



Oil Deck Filler Kits

Threaded reduction fitting with deck plate and “keyless” screw-on cap. Has restrictor and oil label to deter someone from accidentally filling your oil tank with gasoline. Angled version swivels for a precise fit. Uses 1 1/2" ID oil-resistant hose (not included).

Straight Deck Fill **ABB-PLATE-DE-CK**

45 Degree Deck Fill **ABB-PLATE-45-00**

Replacement Parts

90 Degree Joint **6E5-24478-01-00**

45 Degree Joint **ABB-JOINT-45-00**

O-ring **ABB-ORING-DE-CK**

Gasket **6E5-24482-00-00**



Remote 2.8 Gallon Oil Tank Kit

All the required parts to install a remote oil tank in one easy to order kit. **6YR-W0035-95-00**

Kit Includes:

Quantity	Description	Part Number
1	Oil Tank Sub Assy (10.5L)	6E5-21733-20-00
1	Clamp	90465-13M11-00
1	Bracket, Damper Assy	6E5-21798-01-33
1	Hose Clamp Assy	90450-10M07-00
1	Nut	95380-06600-00
1	Clamp	90465-10098-00
1	Holder, Sub Oil Tank	6E5-21734-01-33
1	Bolt	97080-06100-00
1	Washer, Plain	92990-06600-00
1	Oil Feed Pump	6E5-81900-01-00
1	Oil Level Gauge	6E5-85720-06-00
1	Primer Bulb Assembly	6AW-24360-01-00
1	Oil Line	90445-11M00-00

Select Yamaha Outboard Part Numbers to open each product within the ONLINE STORE

Engine Accessories

Transom Fitting For Rigging Hose

An easy install. Just thread the Rigging Hose onto the fitting. Requires no clamp, yet provides positive engagement. Use with Rigging Grommet (sold separately) for quick, easy rigging.

Black **MAR-THRUT-RS-M2**
 Chrome **ABA-THRUT-RA-SM**



Rigging Grommet

Choose the grommet for your engine. Simply thread the Rigging Grommet onto the Rigging Hose and thread the Transom Fitting (sold separately) onto the other end. Provides positive engagement without clamps.

2 Stroke 115-250 **MAR-GROMM-ET-01**
 F150 **MAR-GRMMT-F1-50**
 F200-F250 **MAR-GRMMT-LG-4S**
 Z250, Z300 **MAR-GRMMT-Z2-50**

Other '02 ~ V4 and V6 models include the main grommet, but require the following hardware to attach the rigging hose.

Fastener **68F-42753-00-00**
 Clip **90601-20022-00**



Rigging Hose

High-quality hose is flexible, crush-resistant with UV inhibitors for added protection. Black, Gray, or Metallic Blue.

25' Black **ABB-RIGHS-BK-25**
 25' Gray **ABB-RIGHS-GY-25**
 25' Metallic Blue **ABB-RIGHS-BE-25**
 100' Black (two 50' rolls) **ABB-RIGHS-BK-50**
 100' Gray (two 50' rolls) **MAR-RIGHS-GY-50**



General Information

Rigging Estimate Guide (Diagrams)

Rigging Components

Electrical Components

Engine Accessories

Propellers

Maintenance Items

Oils & Lubes

Detailing & Trailer Supplies

Accessories & Apparel

Generators & Accessories

Engine Accessories

Select Yamaha Outboard Part Numbers to open each product within the ONLINE STORE

Steering System

General Information



63V-61350-00-00

Rigging Estimate Guide (Diagrams)



689-61350-02-00

Rigging Components



63D-61350-00-00

Electrical Components



688-61350-10-00

Engine Accessories



6E5-61350-02-00

Propellers



68T-61350-00-00

Maintenance Items



68T-61350-10-00

Oils & Lubes



6G8-61350-00-00

Detailing & Trailer Supplies



6AH-61350-00-00

Accessories & Apparel



65W-61350-00-00

Generators & Accessories



6BG-61350-00-00



67F-61350-00-00

Steering Link Arm Kits

Connects Yamaha outboards to the boat's steering system. Some Yamaha outboards will come with a steering link arm kit in the crate. Please refer to the latest Product Information Guide for more details.

2-Stroke Model	Steering Guide Kit	2-Stroke Model	Steering Guide Kit
9.9, 15	63V-61350-00-00	40/50 (1996~)	63D-61350-00-00
25/30	689-61350-02-00	60~90	688-61350-10-00
40/50 (~1995)	689-61350-02-00	115~300	6E5-61350-02-00

4-Stroke Model	Steering Guide Kit	4-Stroke Model	Steering Guide Kit
F8 (~04/2006)	68T-61350-00-00	F25A/T25A	6BG-61350-00-00
F8 (04/2007~)	68T-61350-10-00	T25 (~04/2006)	65W-61350-00-00
T8	68T-61350-00-00	F30	65W-61350-00-00
F9.9 (~04/2005)	6G8-61350-00-00	F40 (1999)	63D-61350-00-00
F9.9 (2)	63V-61350-00-00	F40 (2000~)	65W-61350-00-00
F9.9F	68T-61350-10-00	F40A	6BG-61350-00-00
T9.9 (~04/2005)	6G8-61350-00-00	F50/T50 (1996~2004)	63D-61350-00-00
T9.9(2)	63V-61350-00-00	F50/T50 (2005~)	65W-61350-00-00
T9.9G	68T-61350-10-00	F60/T60	65W-61350-00-00
F15	63V-61350-00-00	F70	65W-61350-00-00
F15C, F20	6AH-61350-00-00	F75 ~ F100	67F-61350-00-00
F25 (~04/2005)	65W-61350-00-00	F115B (2014~)	6EK-61350-00-00
		F115~F300 (V6)	6E5-61350-02-00

Select Yamaha Outboard Part Numbers to open each product within the ONLINE STORE

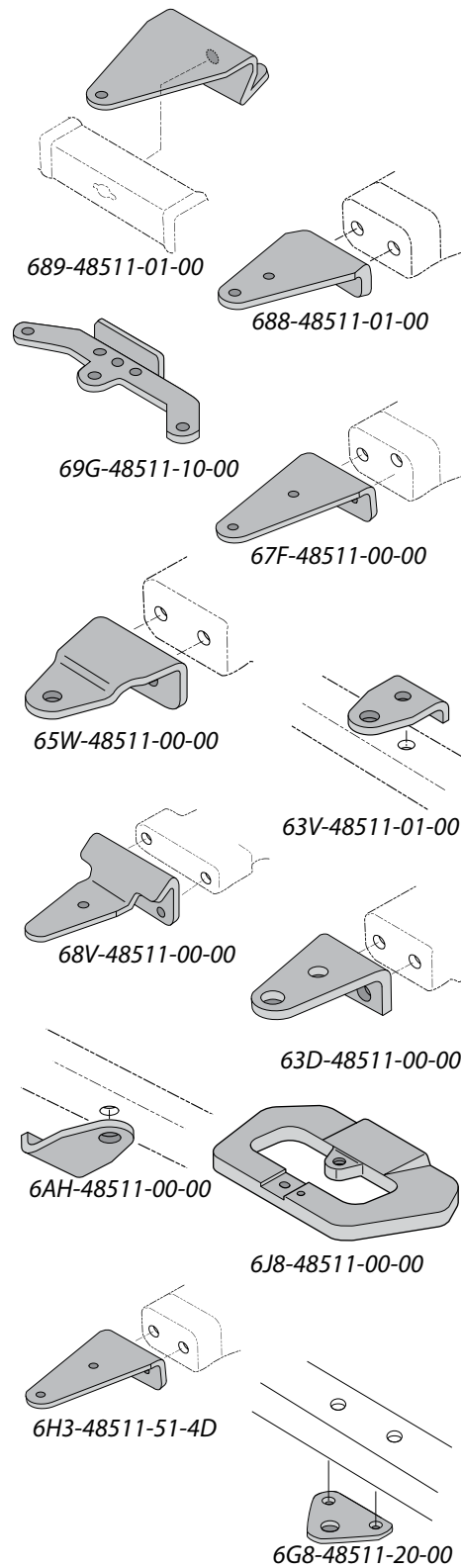
Engine Accessories

Steering Hooks

Used to attach the steering arm to the outboard. Will require bolts or studs, nuts and washers to install. Please refer to PartsManager Pro™ for additional part numbers required.

2-Stroke Model	Steering Hook	2-Stroke Model	Steering Hook
9.9	63V-48511-01-00	40	63D-48511-01-00
15	63V-48511-01-00	50	63D-48511-01-00
25 (Manual Start)	689-48511-02-00	60	6H3-48511-52-00
25 (Electric)	6J8-48511-52-00	70	6H3-48511-52-00
30	6J8-48511-52-00	90	688-48511-12-00

4-Stroke Model	Steering Hook	4-Stroke Model	Steering Hook
F8	63V-48511-01-00	F40 (1999)	63D-48511-01-00
T8 (2001)	63V-48511-01-00	F40 (~2000)	65W-48511-01-00
T8 (except 2001)	69G-48511-10-00	F50 (~2004)	63D-48511-01-00
F9.9 (~04/2005)	6G8-48511-20-00	F50 (2005~)	65W-48511-01-00
F9.9-2, F9.9 (04/2006~)	63V-48511-01-00	T50 (~2004)	63D-48511-01-00
T9.9G, T9.9A	69G-48511-10-00	T50 (2005~)	65W-48511-01-00
T9.9 (~04/2005)	6G8-48511-20-00	F60	65W-48511-01-00
T9.9-2	63V-48511-01-00	T60	65W-48511-01-00
F15	63V-48511-01-00	F70	65W-48511-01-00
F15C	6AH-48511-01-00	F75	67F-48511-01-00
F20	6AH-48511-01-00	F80	67F-48511-01-00
F25	65W-48511-01-00	F90	67F-48511-01-00
T25	65W-48511-01-00	F100	67F-48511-01-00
F30	65W-48511-01-00	F115 (06/2011~)	68V-48511-01-00
		F115B	688-48511-02-00



- General Information
- Rigging Estimate Guide (Diagrams)
- Rigging Components
- Electrical Components
- Engine Accessories
- Propellers
- Maintenance Items
- Oils & Lubes
- Detailing & Trailer Supplies
- Accessories & Apparel
- Generators & Accessories

Engine Accessories

Select Yamaha Outboard Part Numbers to open each product within the ONLINE STORE

General Information



Dual Steering Cable Bracket
Strong, 7-gauge stainless construction, with aluminum steering tube. Conforms to ABYC® standards. Features a steel shield over the steering tube to provide additional protection. Fits 70–300hp engines.

ABA-DUALS-TE-ER

Replacement Tube (not shown) ABA-DUALS-TR-01

Rigging Estimate Guide (Diagrams)

Rigging Components



Universal Dual Steering Bracket
Pre-drilled to fit all major outboard motor brands. Features an aluminum steering tube and stainless steel bracket. Fits 70–300hp engines.

ABA-42110-00-00

Electrical Components



Engine Accessories

Propellers

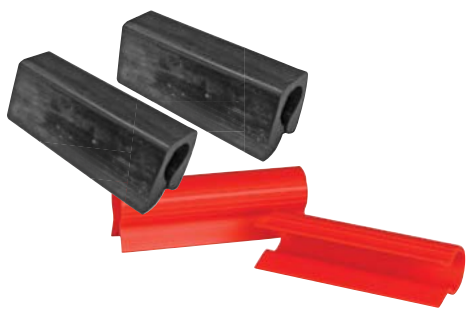


Dual Steering Tie Bar Kit
Strong, stainless steel tie bar provides dual engine steering control for Yamaha outboards. Adjustable from 11" to 36". Includes necessary hardware.

ABA-DUALT-IE-BR

Maintenance Items

Oils & Lubes



Outboard Steering Centering Clips
Outboard steering centering clips for use with front mounted hydraulic steering cylinders having an 8 inch total stroke length (side to side). Helps the outboard remain centered while trailered. The clips also help limit the load applied to the hydraulic system that may occur when an outboard is tilted and partially turned. The clips are quickly and easily installed over the hydraulic cylinder steering rods. . Sold in pairs.

Black (Rubber): MAR-CNTRC-LP-08

Orange: 6ES-23326-00-00

Detailing & Trailer Supplies

Accessories & Apparel

Generators & Accessories



Zerk Nut
Stainless steel, with high pressure O-ring seal. Attaches to steering tube to keep lubrication in, contaminants out.

MAR-ZERKN-UT-01

Select Yamaha Outboard Part Numbers to open each product within the ONLINE STORE

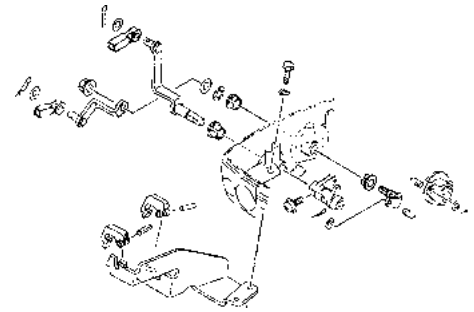
Engine Accessories

Remote Control Attachment Kits

The remote control kits listed below may also be listed with additional parts required to install the remote control attachment kits. For the most accurate information always refer to PartsManager Pro™.

9.9/15 Outboards

Quantity	Description	Part Number
1	Throttle & Shift Kit	63V-48501-00-00
1	Steering Guide Attachment	63V-61350-00-00
1	Longer Steering Tilt Tube	63V-43131-10-00
1	Steering Hook	63V-48511-01-00
1	Bolt	97095-08035-00
1	Washer	92990-08600-00
1	Nut	95780-08300-00



F6/F8 Outboards

Quantity	Description	Part Number
1	Throttle & Shift Kit	60R-G8501-00-00
1	Steering Guide Attachment	68T-61350-00-00
1	Steering Hook	69G-48511-10-00
2	Bolt	97095-08035-00
1	Nut	95780-08300-00
1	Nut	90185-06M07-00
1	Wire Harness (For Connection to Control)	69G-82590-00-00



F/T9.9 Models 85~06 1st Generation Outboards

Quantity	Description	Part Number
1	Throttle & Shift Kit	6G8-48501-03-00
1	Steering Guide Attachment	6G8-61350-00-00
1	Steering Hook (Steering Guide Type)	6G8-48511-20-00
1	Steering Hook (Ball Post Type)	6G8-48511-10-00
2	Bolt	97095-06016-00
2	Washer	92990-06600-00
1	Wire Harness (For Connection to Control)	6G8-82580-00-00

General Information

Rigging Estimate Guide (Diagrams)

Rigging Components

Electrical Components

Engine Accessories

Propellers

Maintenance Items

Oils & Lubes

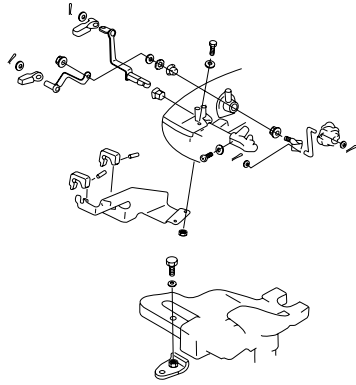
Detailing & Trailer Supplies

Accessories & Apparel

Generators & Accessories

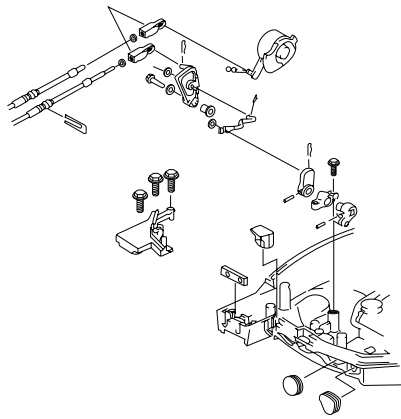
Engine Accessories

Select Yamaha Outboard Part Numbers to open each product within the ONLINE STORE



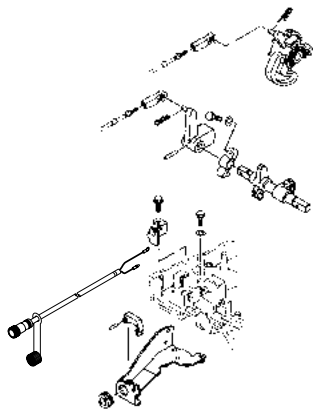
F/T9.9, F15 Models 01~05 2nd Generation, F/T9.92 06~07 Outboards

Quantity	Description	Part Number
1	Throttle & Shift Kit (Comes with hook)	66M-48501-00-00
1	Steering Guide Attachment	63V-61350-00-00
1	Longer Steering Tilt Tube	63V-43131-10-00
1	Wire Harness (For Connection to Control)	66M-82590-10-00



F/T9.9G 08~ Outboards

Quantity	Description	Part Number
1	Throttle Shift Kit F/T9.9 08~	6DR-48501-00-00
1	Steering Guide Attachment	68T-61350-10-00
1	Steering Hook (F9.9 08~)	63V-48511-01-00
1	Steering Hook (T9.9 08~)	69G-48511-10-00
2	Bolt W/Washer	97575-08535-00
1	Self-Locking Nut	95780-08300-00
1	Self-Locking Nut (For T9.9)	90185-06M07-00
1	Wire Harness (To Control For T9.9 Power Tilt)	69G-82590-00-00
1	Wire Harness (To Control For F9.9 Electric/Manual)	69G-82580-00-00



F15C / F20 Outboards

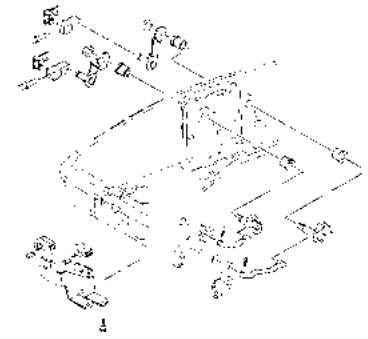
Quantity	Description	Part Number
1	Throttle and Shift Kit	6AH-48501-00-00
1	Steering Arm	6AH-61350-00-00
1	Steering Hook	6AH-48511-01-00
1	Bolt	97095-08025-00
1	Washer	92990-08600-00
1	Nut	95780-08300-00
1	Cap	6AH-44194-00-00
1	Wire Harness	6AH-82590-10-00

Select Yamaha Outboard Part Numbers to open each product within the ONLINE STORE

Engine Accessories

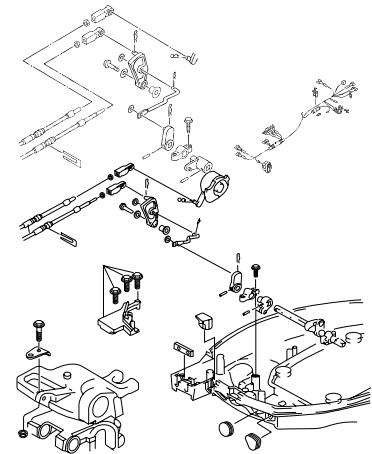
25E Outboards

Quantity	Description	Part Number
1	Throttle & Shift Kit	6L2-48501-11-00
1	Steering Guide Attachment Kit	689-61350-02-00
1	Steering Hook	6J8-48511-52-00
1	Wire Harness (For Connection to Control)	6L2-82590-00-00



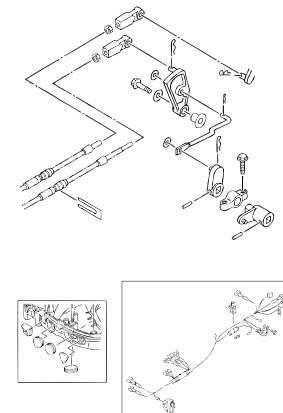
F25 Models SE/SM/LE/LM Outboards

Quantity	Description	Part Number
1	Throttle & Shift Attachment Kit (Comes with hook)	6BL-48501-00-00
1	Steering Guide Attachment	6BG-61350-00-00
2	Stud Bolt (For Hook)	90116-10064-00
1	Washer (For Hook)	92990-10600-00
1	Wire Harness SMHA/LMHA Models (To Control)	6BL-82590-10-00
1	Wire Harness SEHA/LEHA Models (To Control)	6BL-82590-20-00



F25 ~06 Outboards

Quantity	Description	Part Number
1	Throttle & Shift Attachment Kit (Comes with hook)	65W-48501-00-00
1	Steering Guide Attachment	65W-61350-00-00
2	Stud Bolt (For Hook)	90116-10063-00
2	Nut (For Hook)	90185-10027-00
1	Wire Harness EH Models (Connection to Control)	65W-82590-20-00
1	Wire Harness MH Models (Connection to Control)	65W-82590-40-00



General Information

Rigging Estimate Guide (Diagrams)

Rigging Components

Electrical Components

Engine Accessories

Propellers

Maintenance Items

Oils & Lubes

Detailing & Trailer Supplies

Accessories & Apparel

Generators & Accessories

Engine Accessories

Select Yamaha Outboard Part Numbers to open each product within the ONLINE STORE

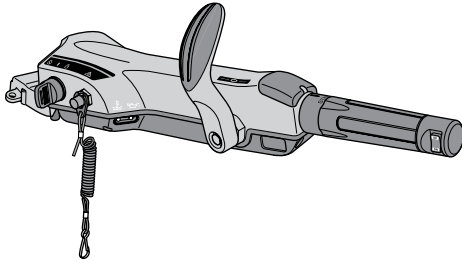
General Information

Tiller Handles

Yamaha's Multifunction Tiller Handle combines ergonomic design, smooth shifting, fingertip controls and an extended throttle handle for virtually effortless maneuverability. Add to that Yamaha's exclusive Variable Trolling RPM Switch (VTS® F40LA through F90 models only) and a 90° throttle rotation angle, and steering is not only easier, it's more comfortable too. It's easy to see why our Multifunction Tiller Handle won an IBEX® Innovation Award.

Rigging Estimate Guide (Diagrams)

Rigging Components



F25 Complete Tiller Handle Assembly

Includes everything required to mount a tiller handle on F25 Outboard.

6X4-42103-0A-00

Electrical Components

Engine Accessories



Tiller Handle Main Assembly

The tiller handle main assembly requires the use of a fitting kit below to mount to a Yamaha Outboard.

6X4-42103-54-00

Propellers

Maintenance Items

Oils & Lubes

Tiller Handle Fitting Kits

The fitting kits are used along with the Main Handle Assembly. They typically include the wire harness and mounting hardware.

Detailing & Trailer Supplies



Accessories & Apparel

Generators & Accessories

2-Stroke Fitting Kits

Application	Part Number
40, 50	6X4-42102-63-00
60, 70	6X4-42102-52-00
80, 90	6X4-42102-41-00

4 Stroke Fitting Kits

Application	Part Number
F40B (Carburated)	6X4-42102-31-00
F30 / F40LA (EFI)	6X4-42102-71-00
F50, F60, F70	6X4-42102-23-00
F75, F90	6X4-42102-11-00
F115 / VF115	6X4-42102-01-00
F115B / VF115B	6X4-42102-C0-00

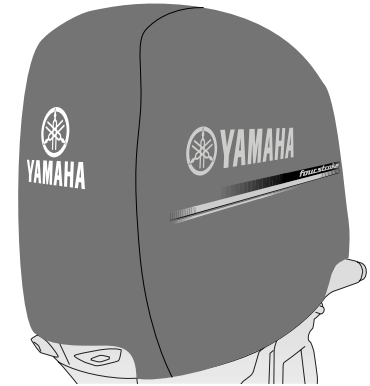
Select Yamaha Outboard Part Numbers to open each product within the ONLINE STORE

Engine Accessories

Cowling Covers

Super heavy-duty protection for your Yamaha outboard's cowling. Constructed of ultra-durable Sur Last® solution dyed polyester fabric for the ultimate protection against fading and the elements, this non-abrasive, water resistant cover is resistant to UV, mildew and mold. The cover has a soft fabric inner liner for added paint protection, and screened on factory logos for unmatched style. Includes a snap-buckle strap and stretch cord for a snug fit.

V6 Application	Engine Cover	F200 ~ F50 Application	Engine Cover
V8 Outboards	MAR-MTRCV-11-V8	F200 (Inline) / F150B / F175	MAR-MTRCV-F2-01
4.2L Offshore Outboards	MAR-MTRCV-F4-2L	F150A Outboards	MAR-MTRCV-1C-15
F250 Outboards	MAR-MTRCV-11-25	F115/F115B Outboards	MAR-MTRCV-11-50
F225 Outboards	MAR-MTRCV-11-00	F100 Outboards	MAR-MTRCV-11-50
F200 Outboards	MAR-MTRCV-11-00	F90 Outboards	MAR-MTRCV-11-50
		F80 Outboards	MAR-MTRCV-11-50
F40 ~ F15C Application	Engine Cover	F75 Outboards	MAR-MTRCV-11-50
F40 Outboards	MAR-MTRCV-11-40	F70 Outboards	MAR-MTRCV-FS-70
F30 Outboards	MAR-MTRCV-11-30	F/T50B / F/T60B	MAR-MTRCV-FS-70
F20 Outboards	MAR-MTRCV-11-15	T/F60 Outboards	MAR-MTRCV-11-80
F15C Outboards	MAR-MTRCV-11-15	T/F50 Outboards	MAR-MTRCV-11-30



Application	Engine Cover
V6 VMAX SHO® Outboards	MAR-MTRCV-ER-SH
150 VMAX SHO® Outboards	MAR-MTRCV-15-S1
VF115 VMAX SHO® Outboards	MAR-MTRCV-11-55



V6 Application	Engine Cover
VMAX® HPDI® 2.6L Outboards	MAR-MTRCV-11-10
VMAX® HPDI® 3.3L Outboards	MAR-MTRCV-1M-30
P, V, VX, D, DX 2.6L VMAX® Outboards	MAR-MTRCV-11-V6
VX VMAX® 3.1L Outboards	MAR-MTRCV-1M-20



- General Information
- Rigging Estimate Guide (Diagrams)
- Rigging Components
- Electrical Components
- Engine Accessories**
- Propellers
- Maintenance Items
- Oils & Lubes
- Detailing & Trailer Supplies
- Accessories & Apparel
- Generators & Accessories

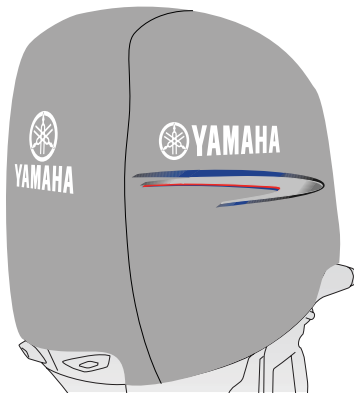
Engine Accessories

Select Yamaha Outboard Part Numbers to open each product within the ONLINE STORE



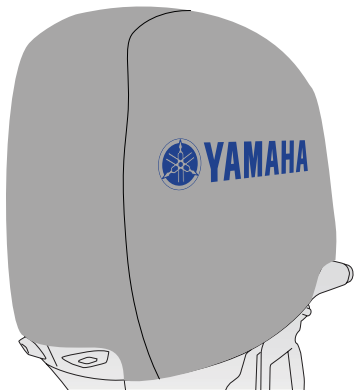
Application
S, SX, L, LX 150-250 Outboards

Engine Cover
MAR-MTRCV-11-SS



Application
HPDI® 2.6L Outboards
HPDI® 3.1L Outboards

Engine Cover
MAR-MTRCV-11-11
MAR-MTRCV-11-20



Application
150 - 200 2 Stroke Outboards
115 - 130 2 Stroke Outboards
C75 - 90 2 Stroke Outboards
30 - 70 2 Stroke Outboards
6 - 25 2 Stroke Outboards
F25 Outboards
F4 - F15 Outboards

Engine Cover
MAR-MTRCV-ER-70
MAR-MTRCV-ER-60
MAR-MTRCV-ER-40
MAR-MTRCV-ER-20
MAR-MTRCV-ER-10
MAR-MTRCV-ER-20
MAR-MTRCV-ER-10

General Information

Rigging Estimate Guide (Diagrams)

Rigging Components

Electrical Components

Engine Accessories

Propellers

Maintenance Items

Oils & Lubes

Detailing & Trailer Supplies

Accessories & Apparel

Generators & Accessories

Select Yamaha Outboard Part Numbers to open each product within the ONLINE STORE

Engine Accessories

Description	Cover
Tuning Fork Logo Spare Tire Cover	MAR-TIREC-OV-ER
Skeeter® Logo Spare Tire Cover	MAR-TIREC-OV-SK
Propeller Cover	MAR-PROPB-AG-BK



F9.9 / T9.9 (04/07~) Cowling with VMAX SHO® graphics.

The top cowling allows both engines to have matching graphics in applications where a kicker motor is used along with a VMX SHO® V6 outboard

6EA-42610-V0-00



General Information

Rigging Estimate Guide (Diagrams)

Rigging Components

Electrical Components

Engine Accessories

Propellers

Maintenance Items

Oils & Lubes

Detailing & Trailer Supplies

Accessories & Apparel

Generators & Accessories

Engine Accessories

Select Yamaha Outboard Part Numbers to open each product within the ONLINE STORE

General Information

Engine Security

Rigging Estimate Guide (Diagrams)



McGard® Outboard Lower Unit Lock Bolt

The lock is designed to secure the lower unit to the mid-section of the outboard while in storage, on the trailer, or in use. A free-spinning collar turns if attacked by gripping tools, helping protect against costly lower unit theft. Simply replace one of the standard lower unit mounting bolts with a McGard® lower unit locking bolt. Use the included special key to remove the McGard® lower unit locking bolt when removal of the lower unit is required. Stainless steel, through hardened construction. Fits Yamaha outboards F115 – F350 without 5" extension.

MAR-LWRUN-LK-00

Rigging Components

Electrical Components

Engine Accessories



Lower Unit Locking Kit

Made from stainless steel to fit 20" shaft F150 and lower horsepower engines. Includes two bolts with tamper resistant heads, 2 lock washers, 2 bell washers, and bolt "key".

Single Engine

20" shaft F150 and less hp : **MAR-LWRUN-LK-10**

25" shaft F150 and less hp : **MAR-LWRUN-LK-20**

V6 Engines: **MAR-LWRUN-LK-50**

Twin Engine

20" shaft F150 and less hp : **MAR-LWRUN-LK-30**

25" shaft F150 and less hp : **MAR-LWRUN-LK-40**

V6 Engines: **MAR-LWRUN-LK-60**

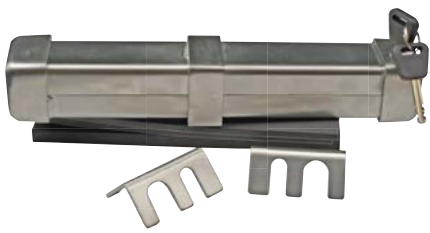
Triple Engine

V6 Engines: **MAR-LWRUN-LK-70**

Propellers

Maintenance Items

Oils & Lubes



High Security Outboard Motor Lock

Designed to slip over portable engines' turnbuckle style mounting bolts. Made from Type 300 stainless steel. Comes with damper pads to help reduce vibration sounds. Includes two keys.

MAR-MTRLK-81-02

Detailing & Trailer Supplies

Accessories & Apparel



Outboard Motor Lock

Designed to slip over portable engines' turnbuckle style mounting bolts. Made from heavy-gauge carbon steel. Includes two keys. Available in Camouflage or black.

Black: MAR-MTRLK-80-00

Camouflage: MAR-MTRLK-CM-00

Generators & Accessories

McGard® Wheel Locks

McGard®'s easy to use, one-piece wheel lock functions like a regular lug nut, but requires a special key tool for installation and removal. Its design allows for an unlimited number of different computer generated lock and key patterns. This unique wheel lock system is continually being refined and improved upon. McGard® Locks are made right here in the United States to meet or exceed O.E.M. standards for safety and durability

Single Axle Trailer (2 locking nuts): *MAR-TRLK7-40-40*

Dual Axle Trailer (4 locking nuts): *MAR-TRLK7-40-41*



Prop Lock

Helps protect your propeller investment. Easy-to install and cost effective. Does not interfere with operation (i.e., motor can be used with a lock installed). Suitable for use on regular and counter rotating props. Fits 40 ~ 90

40 hp - 90hp: *MAR-PROPL-CK-01*

115hp ~ V6 Outboards: *MAR-PRLK7-40-40*



General Information

Rigging Estimate Guide (Diagrams)

Rigging Components

Electrical Components

Engine Accessories

Propellers

Maintenance Items

Oils & Lubes

Detailing & Trailer Supplies

Accessories & Apparel

Generators & Accessories

Engine Accessories

Select Yamaha Outboard Part Numbers to open each product within the ONLINE STORE

General Engine Accessories

General Information

Rigging Estimate Guide (Diagrams)

Rigging Components

Electrical Components

Engine Accessories

Propellers

Maintenance Items

Oils & Lubes

Detailing & Trailer Supplies

Accessories & Apparel

Generators & Accessories



Engine Mounting Bolts

Application	Length	Part Number
115 ~ 300; F80 ~ F250	70mm (2.75 in)	90101-12M37-00
115 ~ 300; F80 ~ F250	79mm (3.1 in)	90101-12014-00
115 ~ 300; F80 ~ F250	95mm (3.75 in)	90101-12M51-00
115 ~ 300; F80 ~ F250	105mm (4.1 in)	90101-12M65-00
115 ~ 300; F80 ~ F250	115mm (4.5 in)	90101-12M03-00
115 ~ 300; F80 ~ F250	130mm (5.1 in)	90101-12M05-00
115 ~ 300; F80 ~ F250	150mm (5.9 in)	90101-12M77-00
V8 Outboards	150mm (5.9 in)	90101-12031-00
V8 Outboards	170mm (6.7 in)	90101-12036-00



Trailer Support For Single Trim Ram Models

Designed to work with new F115B.

MAR-MTSPT-SR-00



Trailer Support (Twin Trim Ram Models)

One Yamaha Motor Trawling Support will provide adequate support for the F115 ~ V6 four-stroke and all 70 ~ 300 two-stroke models while trawling. V8 models require two supports. The Yamaha Motor Trawling Support is quickly and easily installed over the port trim rod on F115 ~ F250 four-stroke and all 70 ~ 300 two-stroke models or both trim rods on the V8 models. Fits F115~F350 Four-Stroke and all 70~300 Two-Stroke models with Power Trim and Tilt. Does Not work with new F115B.

MAR-MTSPT-YM-10



Yamaha Transom plate

A great way to add style and show off your Yamaha Pride. Laser Etched with the Yamaha Logo.

F30A ~ V6 outboards: YMM-09TP0-00-01

V8 outboards: YMM-09TP0-00-02

Select Yamaha Outboard Part Numbers to open each product within the ONLINE STORE

Engine Accessories

Engine Flushers

Connects in seconds to a common garden hose to flush out harmful sand, salt, and other contaminants.

Application	Part Number
VZ225, VZ250, VZ300, V-MAX SHO®	MAR-FLUSH-ER-VF
3, 4, 5, 9.9, FT9.9, 15 and all jet drive	ABB-FLUSH-JD-00
6, 8, 25-Z300HP	ABB-MOTOR-FL-SH
TRP VMAX® 150 and B115 Specially designed for nose-cone flusher	MAR-FLUSH-ER-00



Tilt Limiters

The tilt limiter for the new Yamaha Outboards was introduced to assist in customer satisfaction. The new limiter will help improve customer satisfaction in applications where the top cowling would come in contact with the boat at full tilt. Please select the correct tilt limiter from the charts below.

Tilt Limiter for Mechanical Controlled F115, F150, F200 (inline) & VMAX SHO® Outboards

Model	Serial Number Range	Part Number
F115 / F115B / VF115	68V 1124466~	63P-825EY-01-00
LF115 / LF115B	68W 1005001~	63P-825EY-01-00
F150 / VF150 / F175 / VF175	63P 1106291~	63P-825EY-01-00
LF150	64P 1013389~	63P-825EY-01-00
VF200	6CD 1000832~	63P-825EY-01-00
VF225	6CC 1001056~	63P-825EY-01-00
VF250	6CB 1002436~	63P-825EY-01-00

Tilt Limiter for DEC Controlled 4.2L Offshore Outboards & F200 (inline) DEC Outboards

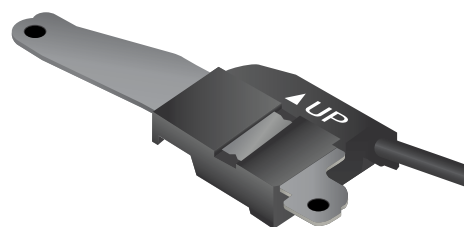
Model	Production Date Range	Part Number
F200 (inline) / F225	01/2012 ~	6CE-825EY-00-00
F250	01/2012 ~	6CE-825EY-00-00
F300	01/2012 ~	6CE-825EY-00-00

Tilt Limiter for F75, F90 Outboards

Model	Production Date Range	Part Number
F75	01/2012~	6D8-825EY-00-00
F90	01/2012~	6D8-825EY-00-00

Tilt Limiter for F50, T50, F60, T60, F70 Outboards

Model	Production Date Range	Part Number
F50	04/2012~	6C5-825EY-00-00
F60	04/2012~	6C5-825EY-00-00
F70	04/2012~	6C5-825EY-00-00



General Information

Rigging Estimate Guide (Diagrams)

Rigging Components

Electrical Components

Engine Accessories

Propellers

Maintenance Items

Oils & Lubes

Detailing & Trailer Supplies

Accessories & Apparel

Generators & Accessories