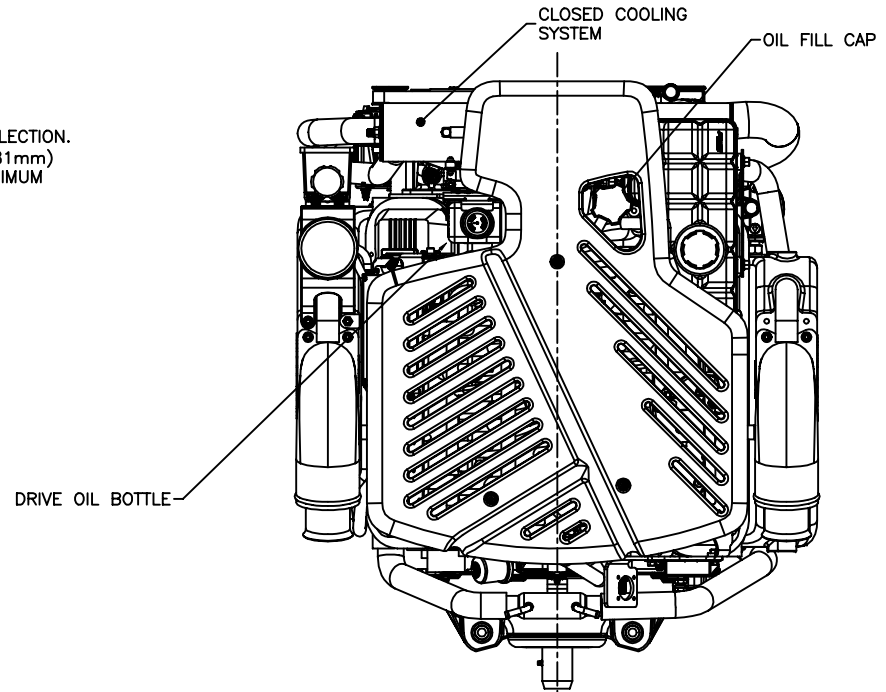


864747 SHEET 2 OF 2
496 MAG MPI/496 MAG MPI HO

NOTES:

- (1) DIMENSIONS REQUIRE A MINIMUM 1/2 in. (13mm) CLEARANCE FOR MOTOR MOUNT DEFLECTION.
- (2) SELECT THE APPROPRIATE EXHAUST RISE-HEIGHT TO MAINTAIN A MINIMUM OF 1 in. (381mm) BETWEEN THE TOP OF THE EXHAUST ELBOW AND THE WATERLINE OF THE BOAT AT MAXIMUM RATED LOAD.
- (3) EXHAUST OUTLETS MUST BE ABOVE WATERLINE OF BOAT AT MAXIMUM RATED LOAD.

UNIT OF MEASURE	SCALE
in. [mm]	1" = 1' 25.4mm = 304mm

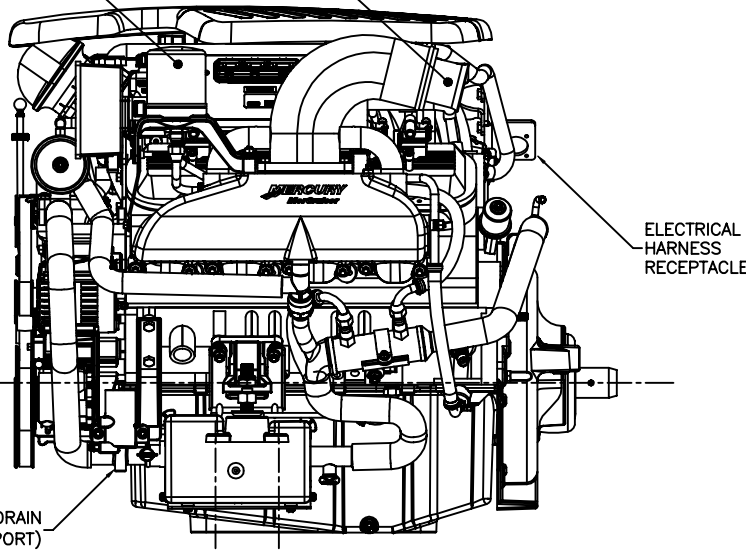


EXHAUST OUTLET DIA. 4"
[102] X 2-1/2"[64] LONG
(2)(3)

REMOTE OIL
FILTER

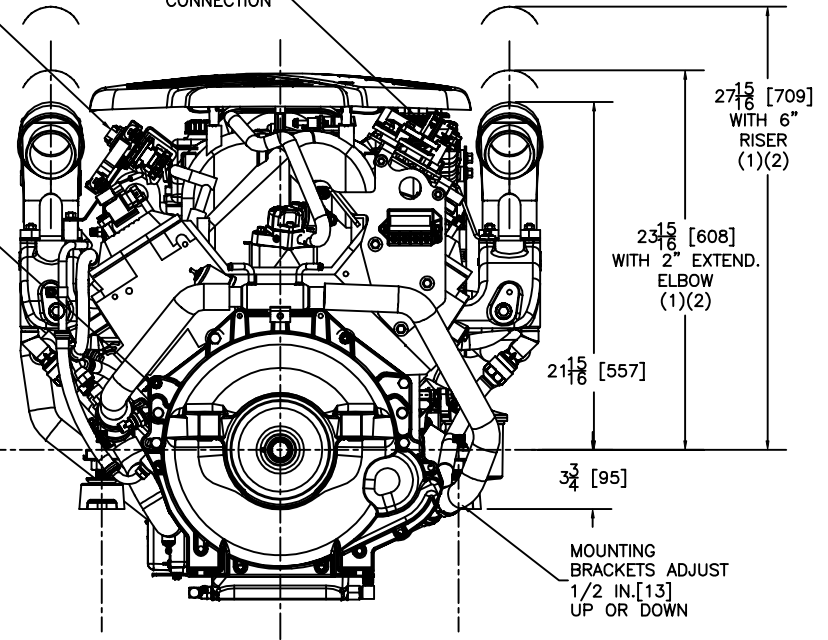
ELECTRICAL BRACKET
& CIRCUIT BREAKER

SHIFT CABLE
CONNECTION



(-) BATTERY
TERMINAL
CONNECTION

CRANKSHAFT
C.L.



4 [102]
(1/2 [13] NOM. DIA. BOLT HOLES)

MOUNTING
BRACKETS ADJUST
1/2 IN. [13]
UP OR DOWN