

UNIVERSAL MOUNTING BRACKET KIT

MRM-5321-S02

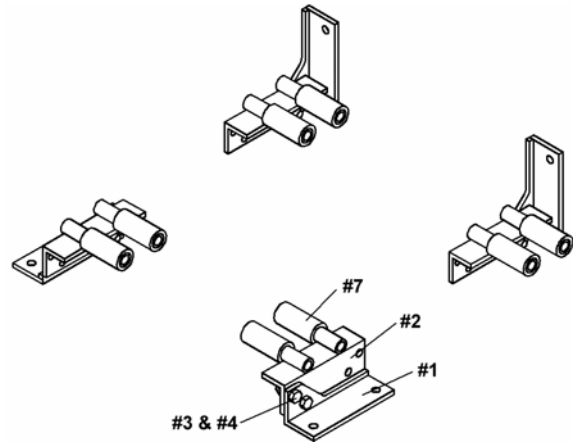
MRM-5322-S02

UNIVERSAL MOUNTING KIT FITS:

Off-engine mounted heat exchangers, 4" to 5" in diameter and 15" to 36" in length.

UNIVERSAL MOUNTING KIT INCLUDES:

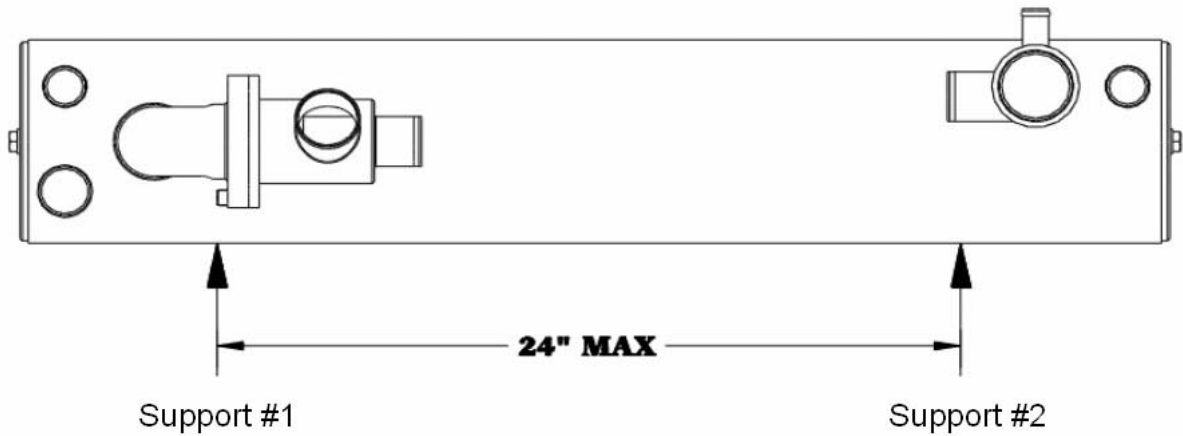
Item	Qty	Part Number	Description
1	2	5000-2654PC	UNIVERSAL BRACKET
2	2	5000-2653PC	UNIVERSAL BRACKET WELDMENT
3	4	4300-1730	3/8-16X1 HHCS S/S
4	4	4300-2565	3/8-16 HEX NUT S/S
5	2	5101-2672	CLEAR PVC HOSE 1/2"IDX14" LG.
6	2	5200-1610	HOSE CLAMP #72
7	4	5102-2124	RUBBER HOSE .75" ID X 2"



INSTALLATION INSTRUCTIONS

1. The heavy-duty steel universal brackets can be assembled to be used on either a horizontal or vertical surface, assemble the brackets with 3/8"-16 X 1" bolts (Item #3) and 3/8" nuts (Item #4). Install rubber hose (Item #7) on to brackets.
2. Mount heat exchanger as close to front of engine as possible to minimize the length of hoses required and their related pressure drops. The heat exchanger should be supported in two locations no more that 24" apart. The mounting location should not hinder the opening or closing of the hatch. Do not drill into fuel tanks, water tanks, or any other critical areas. Do not contact any belts or fuel lines.

Note: Heat exchangers can weigh up to 50 pounds with fluid and with wave hop g-forces in excess of 10g, that weight can be increased to 500 pounds! Take care in mounting your heat exchanger for protection of both the heat exchanger and your boat! If you plan on mounting the heat exchanger to the bulkhead of the boat, be sure to use large washers on the front and backside of each mounting fastener (use at least four fasteners to mount the heat exchanger).



3. Straighten #72 clamps (Item #6), and then slide the $\frac{1}{2}$ " x 14" clear hoses (Item #5) onto them.
4. Clamp the heat exchanger to the brackets with the clamps from step #3.