

Barracuda



by
**Performance Product
Technologies**

MD170 and MD200

170 Hp @ 3,500 Rpm



Features

1. AM General's Optimizer 6500 base engine
2. Smooth running serpentine belt system
3. Standard GM Flywheel housing and Centa-Flex heavy duty coupler that will allow the boat owner to use their existing transmission
4. Standard MerCruiser / Volvo Penta 9-pin electrical harness connector
5. Hi-Capacity Cu-Ni Heat Exchanger
6. Remote Mounted Oil Filter
7. Hi-Output 105amp Alternator
8. Powder Coated Stainless Steel Dry-Joint Risers with Performance Tuned Aluminum Manifolds
9. Multiple Transmission Options—Velvet Drive & ZF

MarineDiesel-USA

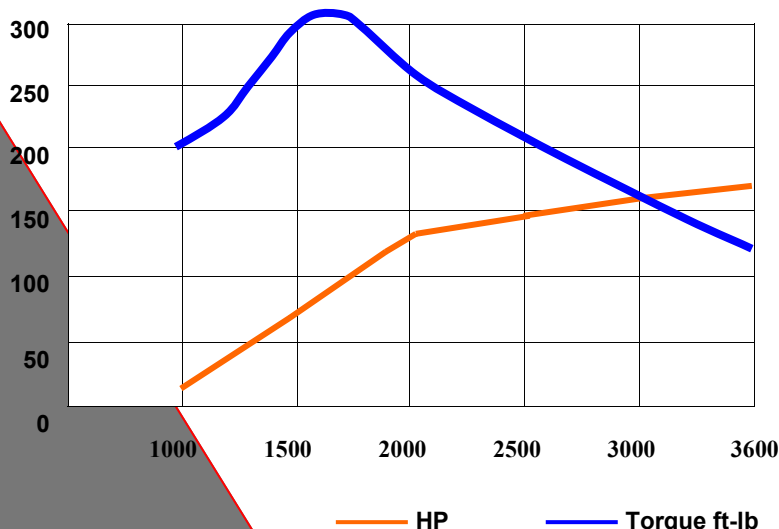
The MD170 & MD200 Barracuda, when combined with a Velvet Drive 5000 or ZF-ZF-63 series creates a potent combination of inboard power and liability. Only MarineDiesel offers a drop-in, plug and play diesel to replace your gas engine

Technical Data

Displacement 6.5L
 Configuration V-8
 Rated RPM 3500 & 4000
 Horsepower MD170 170 @ 3500
 Horsepower MD200 200 @ 4000
 Torque ft. lb. 315 @ 1700
 Bore & Stroke 103 X 97mm
 Compression Ratio 18:1
 Fuel System Indirect Injection
 Aspiration Natural
 Alternator 12V, 105amp
 Cooling Dual pump w Heat Exchanger

Size

Length 30.7"
 Width 34"
 Height 30.7"
 Weight less gear 904 lbs.



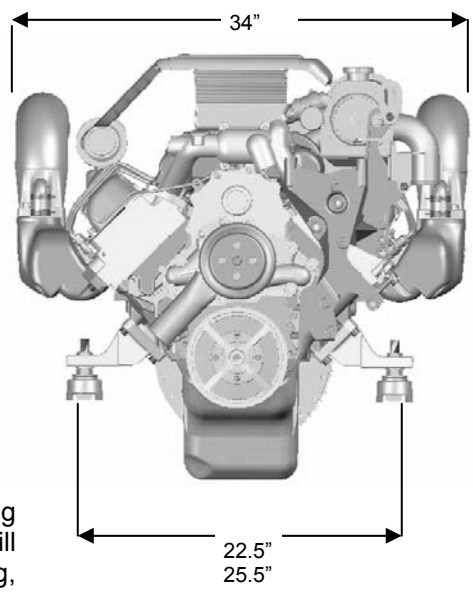
1414 South Sangre Rd.
Stillwater, OK. 74074

Ph: 405-533-3833 Fax: 405-377-3388

E-mail: sales@marinedieselusa.com

MD170 & MD200
 170hp @ 3500
 200 hp @ 4000

Barracuda



MarineDiesel engines are available with numerous inboard transmission options.

The following **Velvet Drive** models are available.

Model	Ratio's
5000....	1.05, 1.3, 1.6, 2.0, 2.45 & 2.8:1
5000V	1.25, 1.5, 2.0 & 2.5:1
72C...	1.0, 1.52, 1.88, 2.10, 2.57 & 2.9

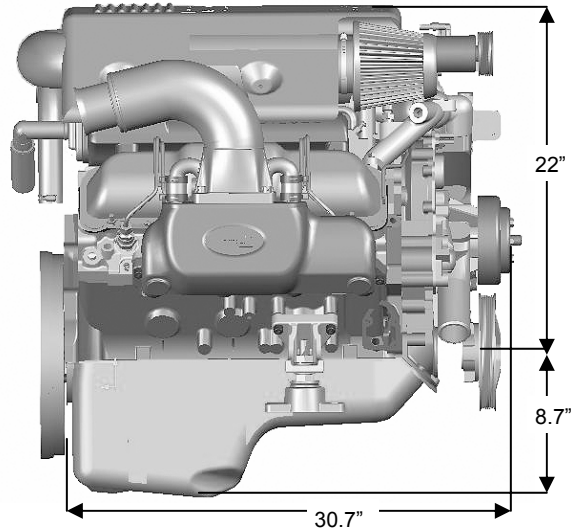
The following drive **ZF** models are available.

Model	Ratio's
63A	1.2, 1.56, 2.0:1
63IV	1.29, 1.56 & 2.0:1

For additional information on these transmissions, visit their web sites at:
WWW.VELVETDRIVE.COM
WWW.ZF-MARINE.COM

Direct Replacement

When replacing existing GM small or big block V8 gas engines the MarineDiesel will match the existing mounts, flywheel housing, length, width, height and weight to that of existing gas engines, as well as offers a standard 9-pin electrical harness connection to match existing boat harnesses. This allows preserving the original integrity of the boat utilizing mounts, exhaust system, gauges, alarms and tachometers. When comparing competitive products make sure to compare the overall installed engine cost, not just the product cost.



Durability

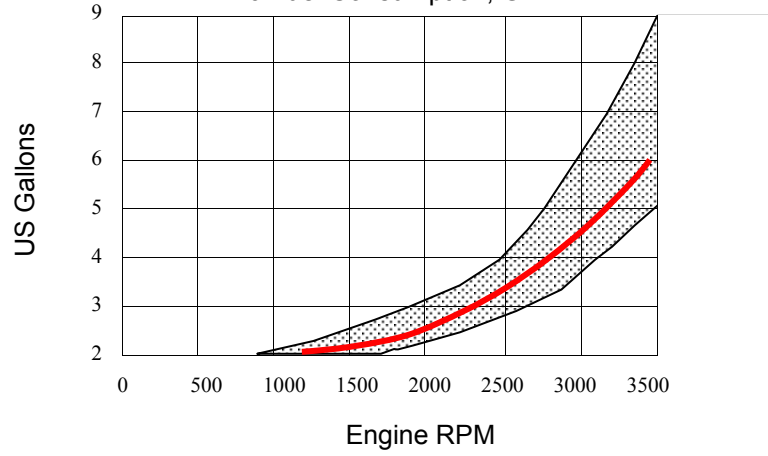
Built on AM General's Optimizer 6500 engine platform this rugged engine is durable enough to be used to power such well known vehicles as the Hummer and military Humvee.

With the Optimizer 6500 as a starting place MarineDiesel takes things to a whole new level by adding a performance tuned center riser dry-joint exhaust system with stainless steel risers, a high capacity fresh water cooling system, 105 amp alternator, oil drain system and fresh water flush kit.

Performance

Starting with a 6.5L displacement in a V8 configuration, MarineDiesel achieves superior low rpm torque versus smaller displacement inline engines. The V8 configuration provides a smoother running and longer lasting platform to power your next pleasure or commercial watercraft.

MD170 Fuel Consumption, GPH



1414 South Sangre Rd.
 Stillwater, OK. 74074
 Ph: 405-533-3833 Fax: 405-377-3388
 E-mail: sales@marinedieselusa.com

